
PH-3C

— CONTENTS —

FIG.1 PUNCH UNIT 2

FIG. 1 PUNCH UNIT

5GL

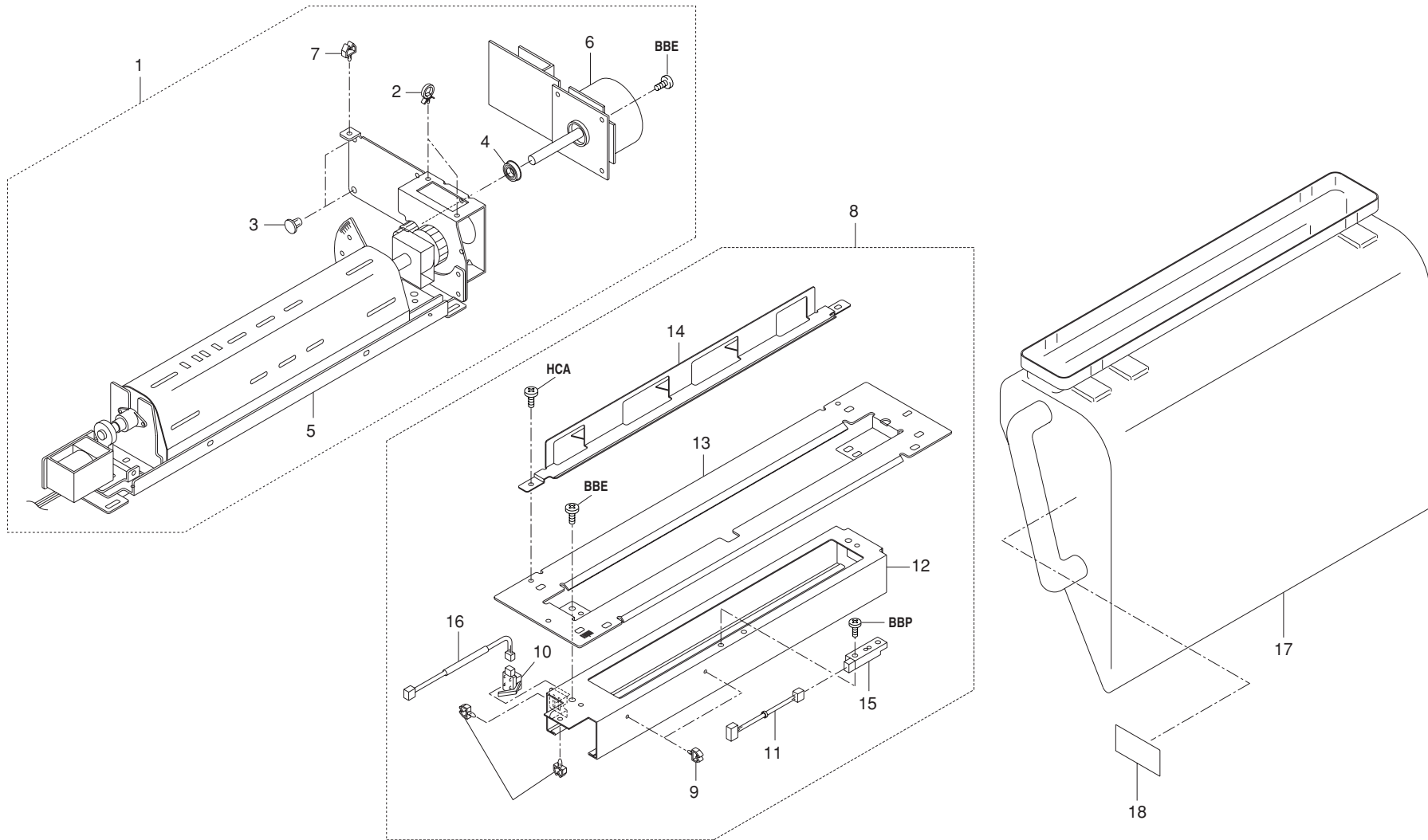


FIG. 1 PUNCH UNIT

5GL

SP	Ref. No.	Part. No.	Description	Quantity		
				120V	230V	240V
		5GL16120	UNIT,PUNCH(INCH)	1		
		5GL16130	UNIT,PUNCH(METRIC)		1	1
	1	3B860010	PUNCH ASS'Y(METRIC)		1	1
	1	3B860020	PUNCH ASS'Y(INCH)	1		
	2	•M2107120	BINDING BAND SG-130	2	2	2
	3	•M2108880	SPACER,KGPS-5RF(KITAGAWA)	2	2	2
●	4	•28107400	BEARING,688ZZNR	1	1	1
●	5	•3B860040	UNIT,PUNCH(METRIC)		1	1
●	5	•3B860050	UNIT,PUNCH(INCH)	1		
●	6	•3B860080	MOTOR,PUNCH	1	1	1
	7	•M2109000	WIRE SADDLE,WS-1NS	1	1	1
	8	3B860160	CONVEYING UNIT ASS'Y		1	1
	8	3B860170	CONVEYING UNIT ASS'Y(INCH)	1		
	9	•M2105740	MINIATURE CLAMP,UAMS-05S-2	4	4	4
	10	•2A727360	REAR SWITCH, ORIGINAL FEED	1	1	1
	11	•3B860150	WIRE,PUNCH UNIT(METRIC)		1	1
	11	•3B860140	WIRE,PUNCH UNIT(INCH)	1		
	12	•3B860110	MOUNT,DISPOSAL TANK	1	1	1
	13	•3B860120	LOWER GUIDE,CONVEYING	1	1	1
●	14	•3B860130	UPPER GUIDE,CONVEYING	1	1	1
●	15	•63227020	SWITCH,FEED	1	1	1
	16	•3B827650	JUNCTION WIRING,PUNCH SENSOR	1	1	1
●	17	3B860100	TANK,DISPOSAL	1	1	1

- Parts with "•" are component parts or sub-assemblies of the assembly appearing immediately above them.
- Parts with "●" indicates the Service parts.